

Tao Wall Light

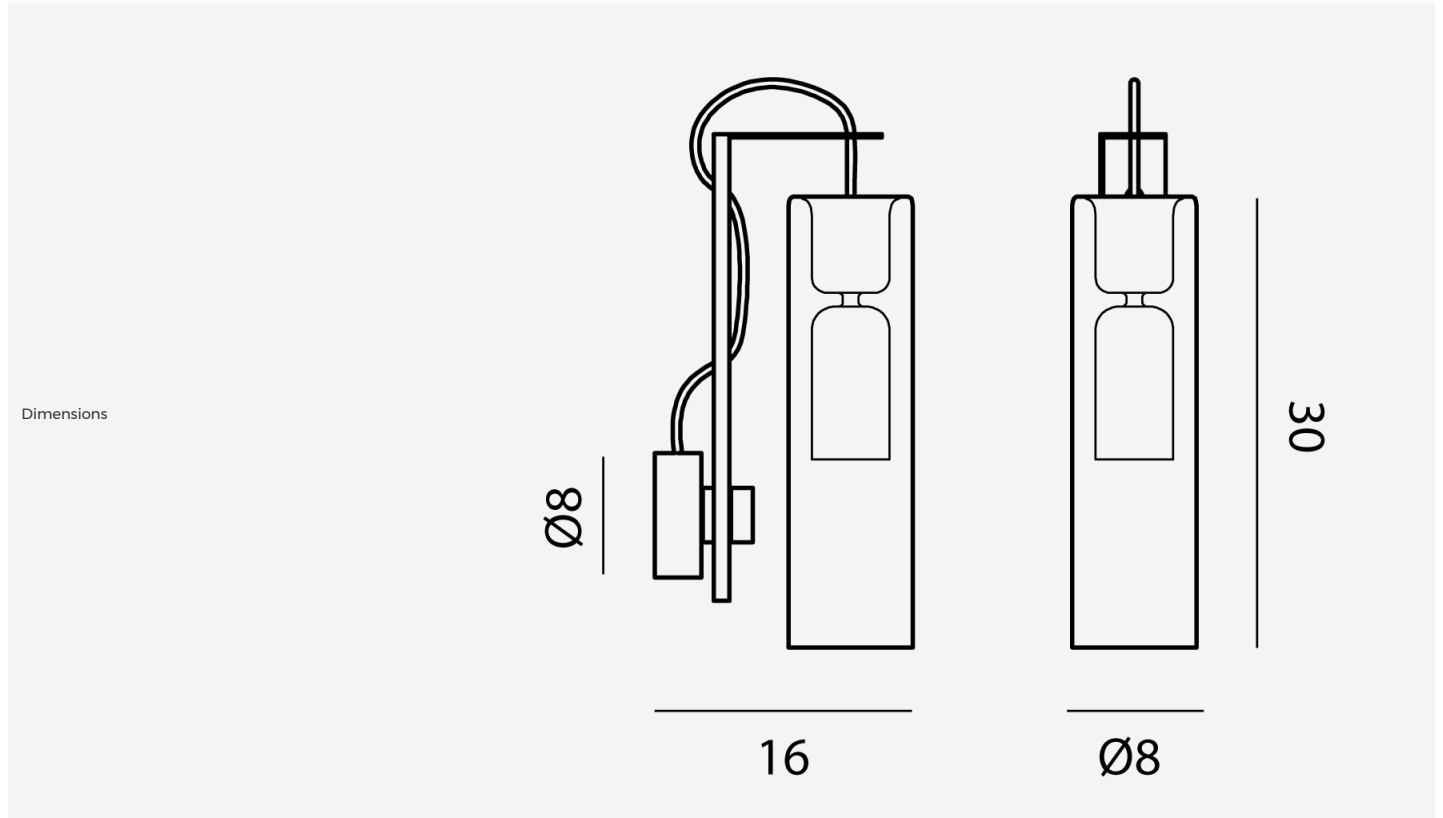


Description

The Cangini & Tucci Tao is a cylindrical shaped Wall light coated in a selection of metalized finishes. Turning on the light reveals an interior frosted glass shape, providing a dual effect. Available in a variety of finishes.

Additional Information

Supplier	CANGINI & TUCCI
Country	Italy
Finishes	Rose Gold, Smoke, Titanium, Transparent
Materials	Blown Glass
SKU	CT A/TAO
IP Rating	IP20
Source	Lampholder
Lamp Base	1 x G9 33W (Max)
Dimming	Dependent on globe



Gross Weight (kg)	1.8
Net Weight (kg)	1.075
Warranty	12 months