

Plot Frame Wall Light

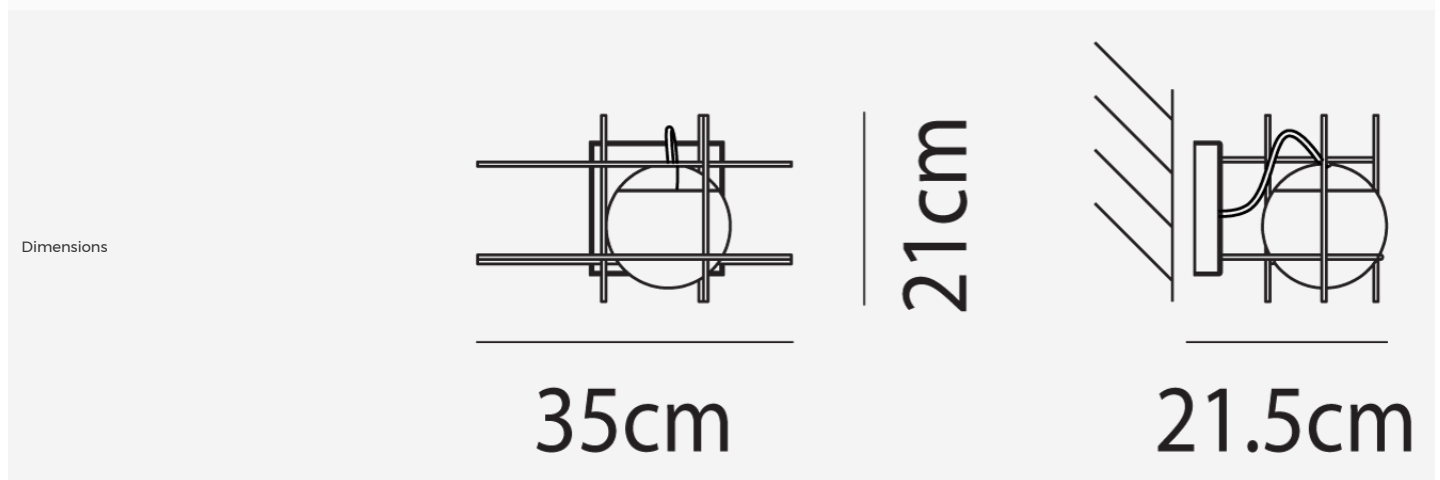


Description

The designing principal of Plot Frame Wall Light was to render a sphere of light in suspended motion. An almost hovering luminescent sphere is supported by a metallic weft, creating an exquisite and unique form. The metal cap of the lamp body acts as a heat sink for the in-built LED source and is fixed to the glass by means of a pressure system achieved by the perfect adhesion between the edge of the glass and the cap itself. Available with matt black metal finish and white blown glass diffuser. Hand made in Italy by Vistosi.

Additional Information

| | |
|-------------|--|
| Supplier | VISTOSI |
| Designer | Chiaramonte & Marin |
| Country | Italy |
| Year | 2020 |
| Finishes | Black frame with white glass diffusers |
| Materials | Blown Glass, Metal |
| SKU | VI A/PLOTFRAME/1/WHITE/BLACK |
| IP Rating | IP20 |
| Colour Temp | 3000K |
| Source | LED (built-in) |
| Wattage | 12.5W |
| Output | 1750lm |
| Dimming | 1-10v |



| | |
|-------------------|----------------------------------|
| Gross Weight (kg) | 8 |
| Net Weight (kg) | 5 |
| Warranty | 2yr commercial / 3yr residential |