

## Munega Lamp



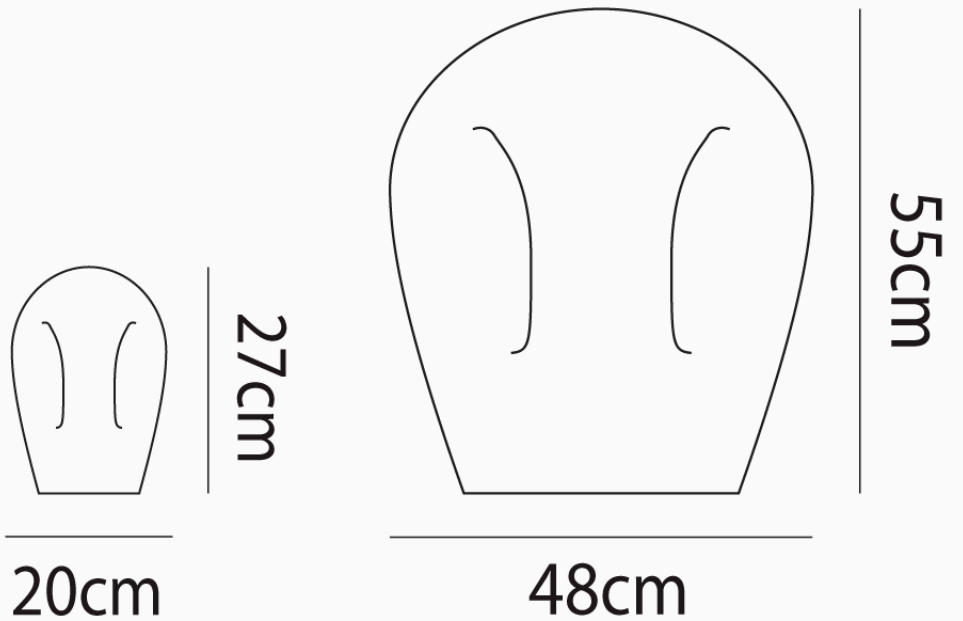
### Description

The Munega collection of lamps are a sculptural mouth-blown Murano glass light designed by Luciano Vistosi in 1978. Visually stunning, Munega is created with a technique called "freehand" where the glass is continually worked by two craftsmen in order to perfect each piece.

## Additional Information

Supplier	VISTOSI
Designer	Luciano Vistosi
Country	Italy
Year	1978
Finishes	White
Materials	Blown Glass
SKU	VI LT/MUNEGA
IP Rating	IP20
Source	Lampholder
Lamp Base	Small: 1 x E14 60W (Max) Large: 1 x E27 77W (Max)

Dimensions



Gross Weight (kg)

P: 6kg  
G: 9kg

Net Weight (kg)

P: 3kg  
G: 5kg

Warranty

12 months