

Corner Step Light

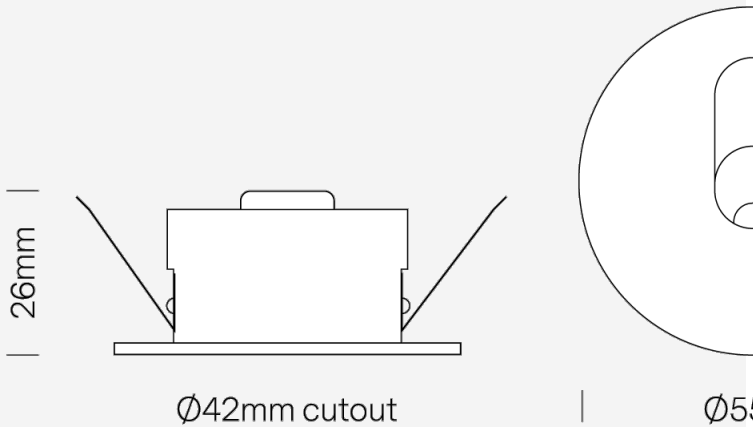


Description

Recessed LED step light. Equipped with a 2W CREE LED with 160lm output. Supplied with non-dimmable driver. Aluminium construction and available in powder coated white or matt bronze finish. Dimming option can be requested and we recommend wiring no more than 7 Corner step lights on a single dimmable driver for maximum power efficiency.

Additional Information

Features	Dimming option can be requested and we recommend wiring no more than 7 Corner step lights on a single dimmable driver for maximum power efficiency.
Supplier	STUDIO ITALIA
Country	China
Year	2019
Finishes	White, Matt Bronze
Materials	Aluminium
SKU	AC CORNER/2W
IP Rating	IP20
Colour Temp	3000K
Source	LED
Wattage	2W
Output	160lm
Driver	Eaglerise 500mA
Dimmable	Yes (in series)

Dimensions	
Cutout	Ø42mm
Warranty	2yr commercial / 3yr residential