

## Applique À Volet Pivotent



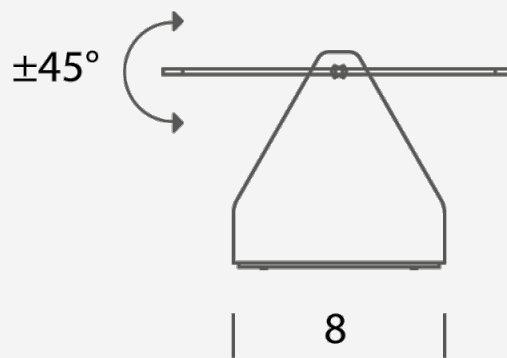
### Description

---

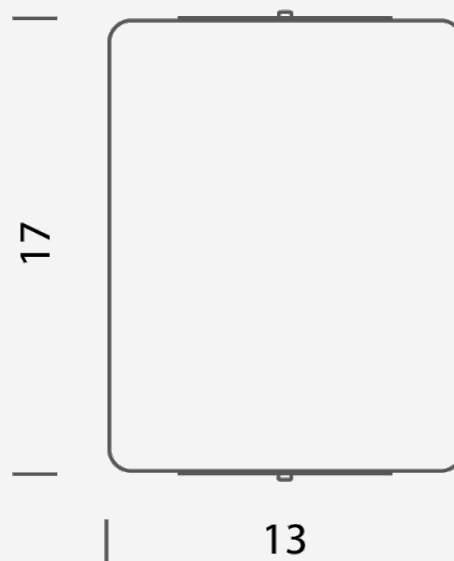
Originally conceived by Charlotte Perriand in 1962, this pivoting wall lamp remains a functional and significant architectural piece. The light source produces an indirect illumination towards the wall which can be adjusted by pivoting the aluminium shade (volet). Available in white body with a variety of volet finishes, with LED, E14 or R7s source. Manufactured in Italy by NEMO.

## Additional Information

Notes	E14 version is equipped with integrated switch (on board) for simple installation. LED and R7s versions are hardwired.
Supplier	NEMO
Designer	Charlotte Perriand
Country	Italy
Year	1962
Finishes	White body with aluminium, black, white, red, yellow, blue, or inox volet (R7s version only available in aluminium, inox, or black)
Materials	Aluminium
SKU	NE A/APPLIQ/AVOLETPIVO
Colour Temp	3000K
Source	Lampholder
Lamp Base	10W LED, 3000K, 1000lm / 1 x R7s 80W (Max) / 1 x E14 40W (Max)
Wattage	10W
Adjustable Angle	45° adjustable volet
Output	1000lm
CRI	83
Dimming	Dependent on globe



Dimensions



Gross Weight (kg)	0.9
Net Weight (kg)	0.8
Warranty	12 months